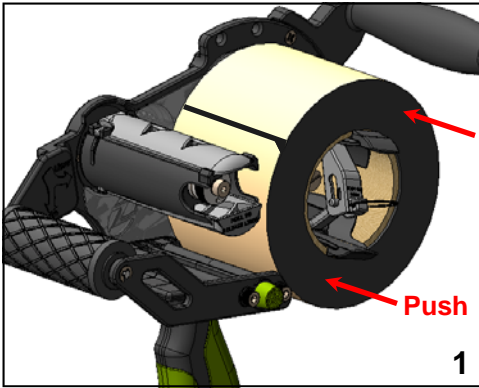
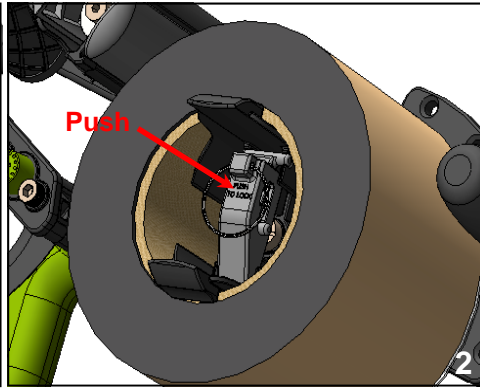


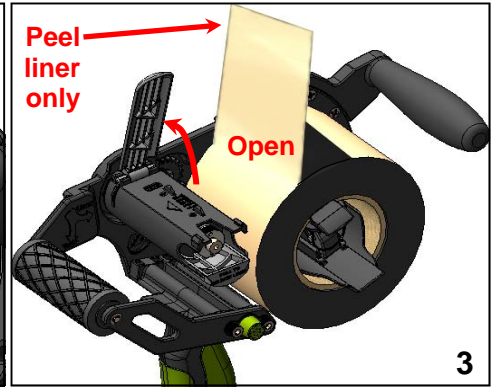
## Tape Loading



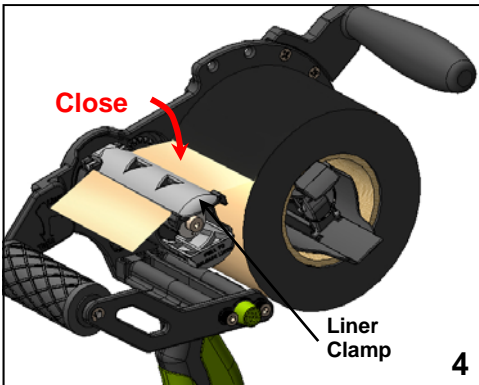
1 Place tape roll on unwind spool so the leading edge unwinds from the bottom left.



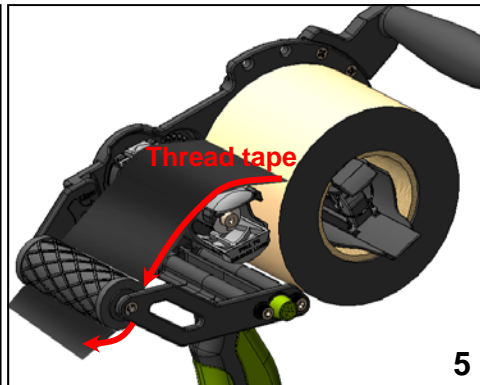
2 Push lever to lock tape roll to unwind spool



3 Separate approximately 4 inches of liner from tape roll. Open liner clamp.

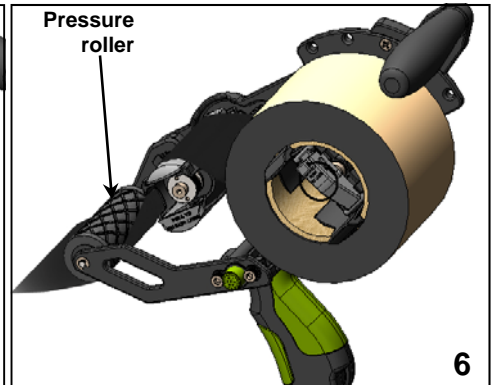


4 Feed liner over take-up spool and close liner clamp until it snaps shut.



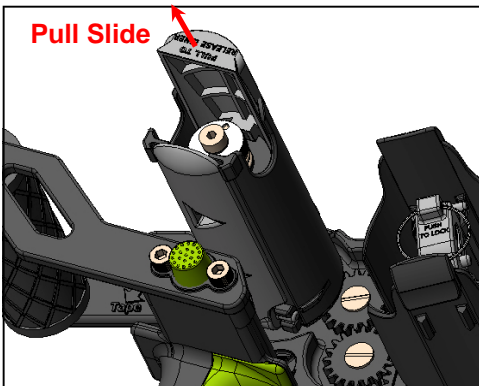
5 Separate tape and feed over the top of the take-up spool and under the pressure roller.

## Tape Application & Cutting

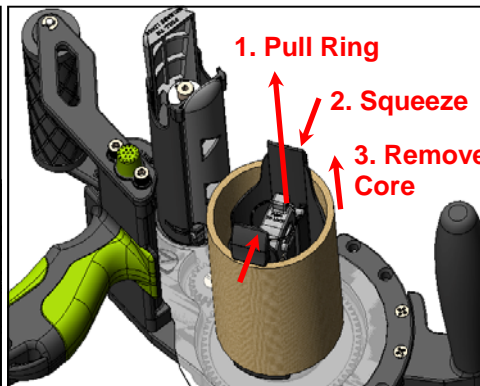


6 Pull tape gun to dispense. Pressure roller imprint should be observed on tape. Use a utility knife to cut the tape.

## Tape Unloading



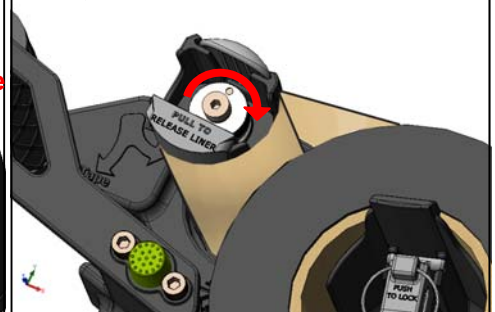
To remove liner, pull slide out on Take-up Spool and pull off liner.



To remove empty tape core, lift pull ring. Squeeze thumb tabs while pulling core upward.

## Tape Gun Tension Adjustment

Tension adjustment knob controls the liner take-up. Turn knob clockwise to increase tension, counter-clockwise to decrease tension



**Note:** If liner is not being accumulated correctly and begins to come out with the tape, then increase the tension by turning the Tension Adjustment Knob clockwise.

If the tape gun requires too much pulling force to dispense the tape, reduce the tape tension by turning the Tension Adjustment Knob counter-clockwise.