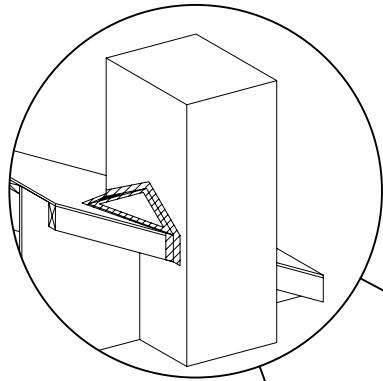




**ZIP SYSTEM® ROOF SHEATHING WITH TILE ROOF COVERING AND ZIP SYSTEM® WALL SHEATHING AT WOOD CHIMNEY FLUE AT EDGE OF ROOF**

**23C**



INSTALL ZIP SYSTEM® TAPE ON ALL JOINTS OF CHIMNEY CRICKET

LAP ZIP SYSTEM® TAPE OR ADHESIVE BACKED FLASHING. (MUST MEET AC148) OVER TOP OF FLASHING

FLASHING PER MANUFACTURER'S INSTALLATION INSTRUCTIONS

ZIP SYSTEM® TAPE OR ADHESIVE BACKED FLASHING (MUST MEET AC148) INSTALLED AT JOINT BETWEEN ZIP SYSTEM® WALL AND ROOF SHEATHING\*

ZIP SYSTEM® TAPE (INSTALLED OVER ALL JOINTS AND CORNERS IN ZIP SYSTEM® WALL AND ROOF SHEATHING)

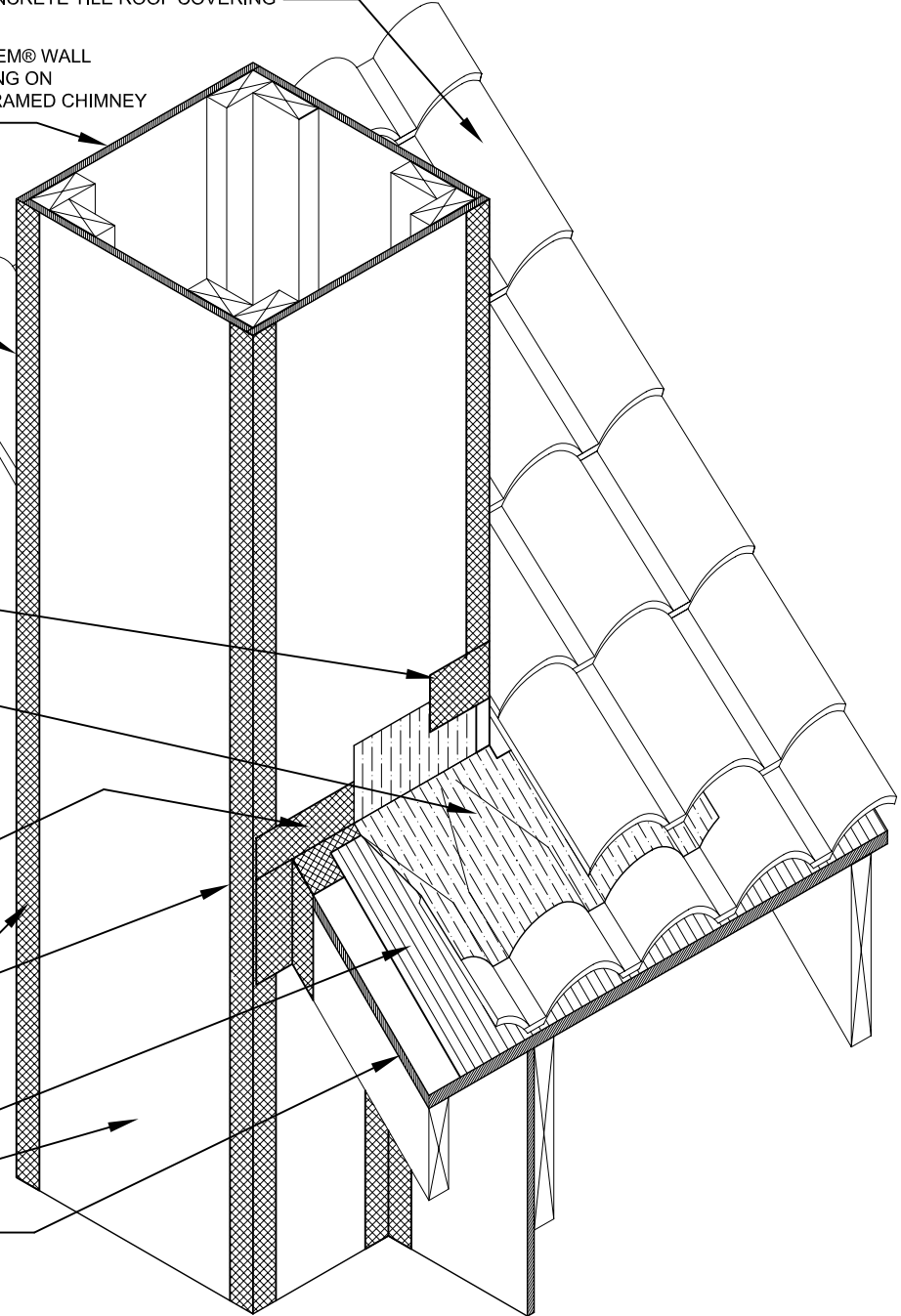
ROOF UNDERLAYMENT (SECOND LAYER OF A TWO-LAYER UNDERLAYMENT SYSTEM, INSTALLED IN ACCORDANCE WITH LOCAL BUILDING STANDARDS)

ZIP SYSTEM® WALL SHEATHING

ZIP SYSTEM® ROOF SHEATHING\*\*

CLAY/CONCRETE TILE ROOF COVERING

ZIP SYSTEM® WALL SHEATHING ON WOOD-FRAMED CHIMNEY FLUE



\*ZIP SYSTEM® TAPE ROOF TO WALL CONNECTION OPTIONS:  
 OPTION 1: ONE STRIP OF 6" WIDE ZIP SYSTEM® TAPE OR ADHESIVE BACKED FLASHING (MUST MEET AC148) WITH 3" ON EITHER SIDE OF JOINT.  
 OPTION 2: TWO STRIPS OF OVERLAPPING 3.75" WIDE ZIP SYSTEM® TAPE (PLACE FIRST PIECE WITH 1" OVERLAPPING JOINT AND 2.75" ON OPPOSITE FACE - REVERSE FOR SECOND PIECE)

\*\*ZIP SYSTEM® TAPE ROOF SHEATHING IS APPROVED TO REPLACE THE FIRST LAYER OF A TWO-LAYER UNDERLAYMENT SYSTEM

**DRAWING NOT TO SCALE**

12-14-2007

Sales Office: 10925 David Taylor Drive - Suite 300 - Charlotte, NC 28262  
 Telephone: 800.933.9220 - Facsimile: 704.547.9228 - www.huberwood.com

*another innovation from*



These construction details are provided to assist in the installation of ZIP System® product(s) and may not apply to every situation. Manufacturer accepts no responsibility or liability for the use of these or other construction details.