

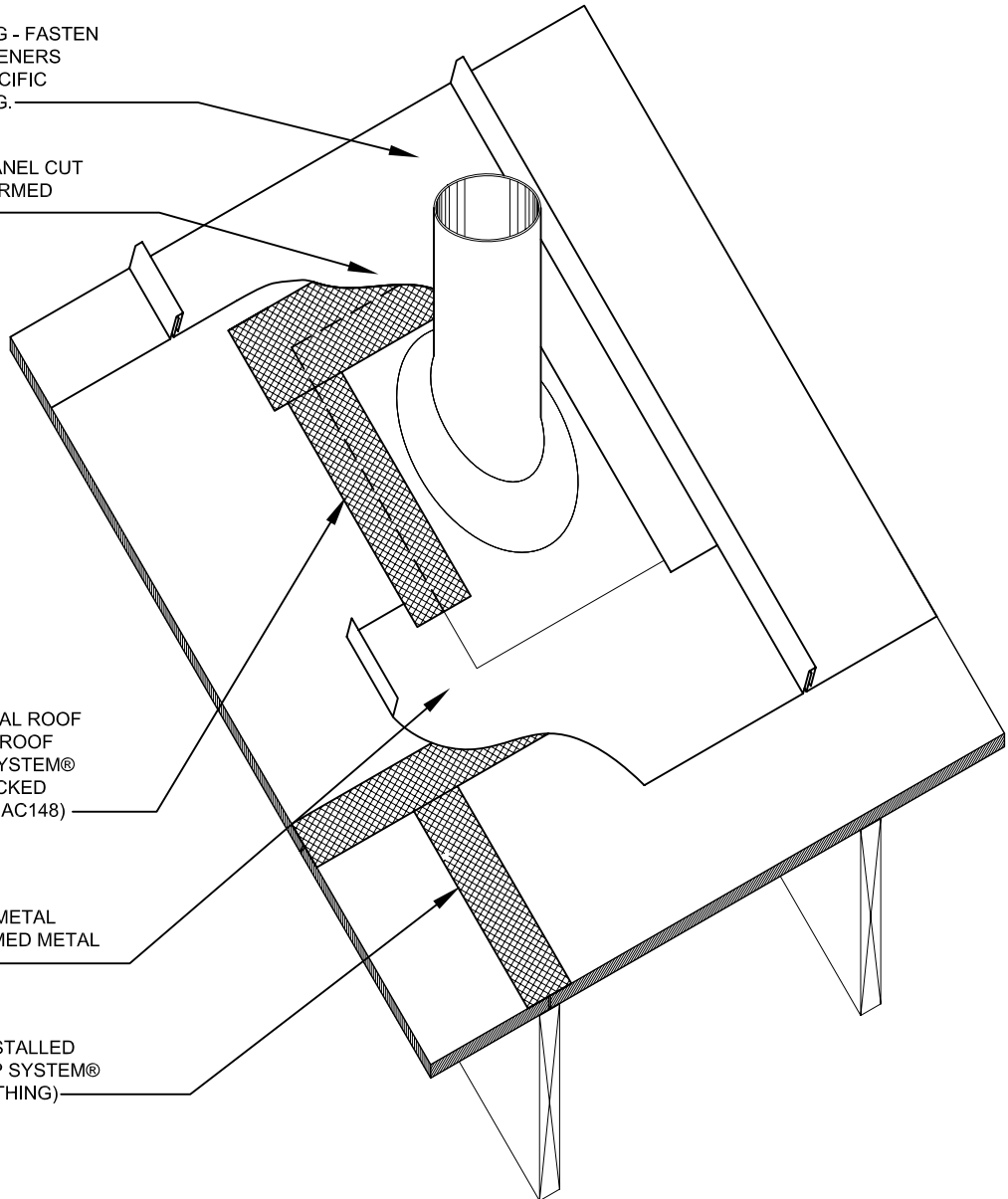
METAL ROOF COVERING - FASTEN PER CODE USING FASTENERS COMPATIBLE WITH SPECIFIC METAL ROOF COVERING.

UPPER METAL ROOF PANEL CUT TO FIT AROUND PREFORMED METAL ROOF VENT

SEAL PREFORMED METAL ROOF VENT TO ZIP SYSTEM® ROOF SHEATHING WITH ZIP SYSTEM® TAPE OR ADHESIVE BACKED FLASHING (MUST MEET AC148)

LAP LOWER PANEL OF METAL ROOF UNDER PREFORMED METAL ROOF VENT

ZIP SYSTEM® TAPE (INSTALLED OVER ALL JOINTS IN ZIP SYSTEM® WALL AND ROOF SHEATHING)



DRAWING NOT TO SCALE