



ZIP SYSTEM® WALL SHEATHING WITH BRICK VENEER AND ZIP SYSTEM® ROOF SHEATHING WITH METAL ROOF COVERING AT EAVE

07E

ROOF ASSEMBLY

- METAL ROOF COVERING
- ZIP SYSTEM® ROOF SHEATHING
- ROOF TRUSS

ZIP SYSTEM® TAPE (INSTALLED OVER ALL JOINTS IN ZIP SYSTEM® ROOF SHEATHING)

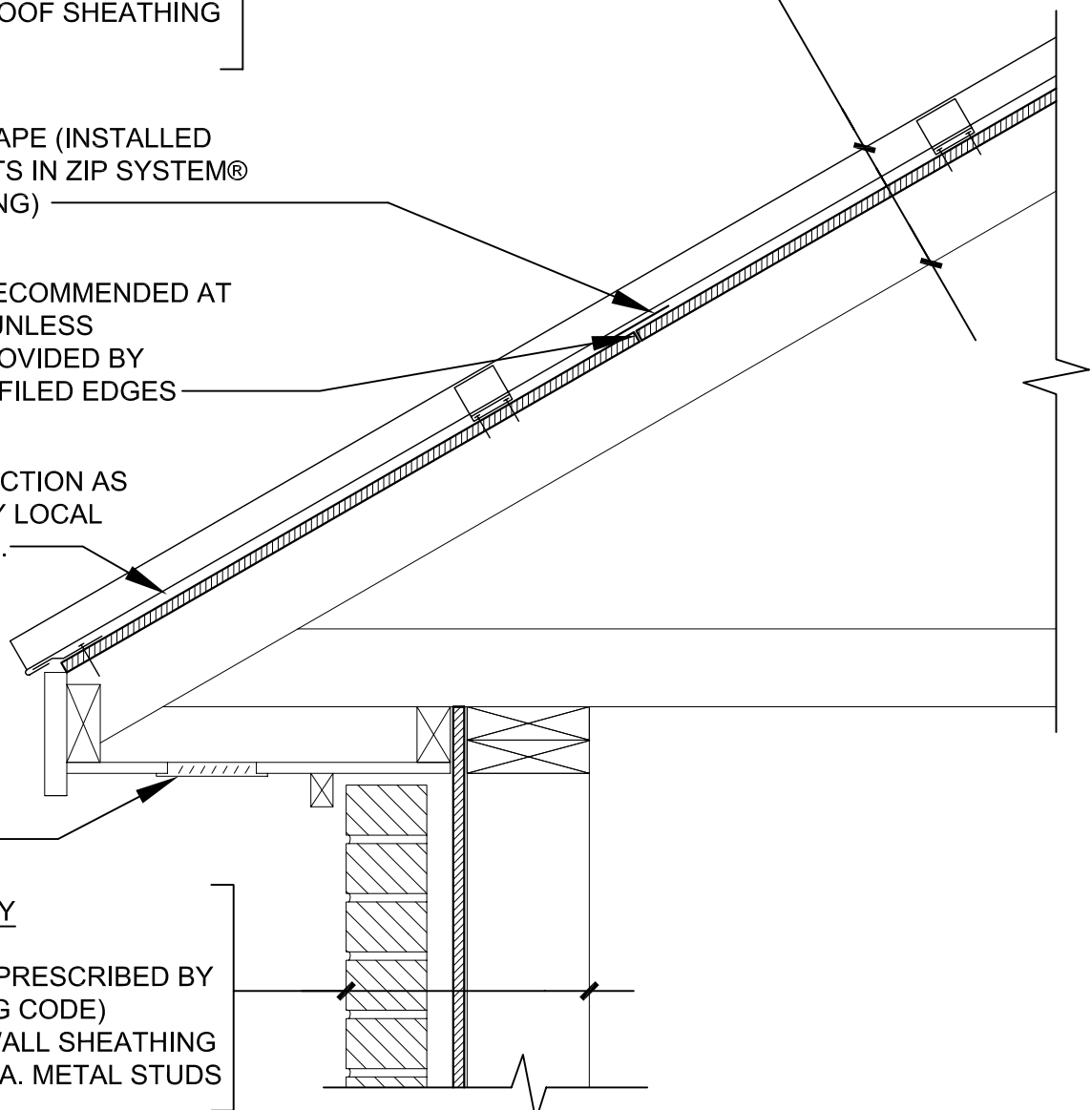
1/8-INCH GAP RECOMMENDED AT PANEL EDGES UNLESS OTHERWISE PROVIDED BY MACHINED PROFILED EDGES

ICE DAM PROTECTION AS PRESCRIBED BY LOCAL BUILDING CODE.

SOFFIT VENT

WALL ASSEMBLY

- BRICK VENEER
- AIR SPACE (AS PRESCRIBED BY LOCAL BUILDING CODE)
- ZIP SYSTEM® WALL SHEATHING
- WOOD OR LT. GA. METAL STUDS



DRAWING NOT TO SCALE

12-14-2007

Sales Office: 10925 David Taylor Drive - Suite 300 - Charlotte, NC 28262
 Telephone: 800.933.9220 - Facsimile: 704.547.9228 - www.huberwood.com

another innovation from



ENGINEERED WOODS

These construction details are provided to assist in the installation of ZIP System® product(s) and may not apply to every situation. Manufacturer accepts no responsibility or liability for the use of these or other construction details.