



ROOF ASSEMBLY
METAL ROOF COVERING
ZIP SYSTEM® ROOF SHEATHING
ROOF TRUSS

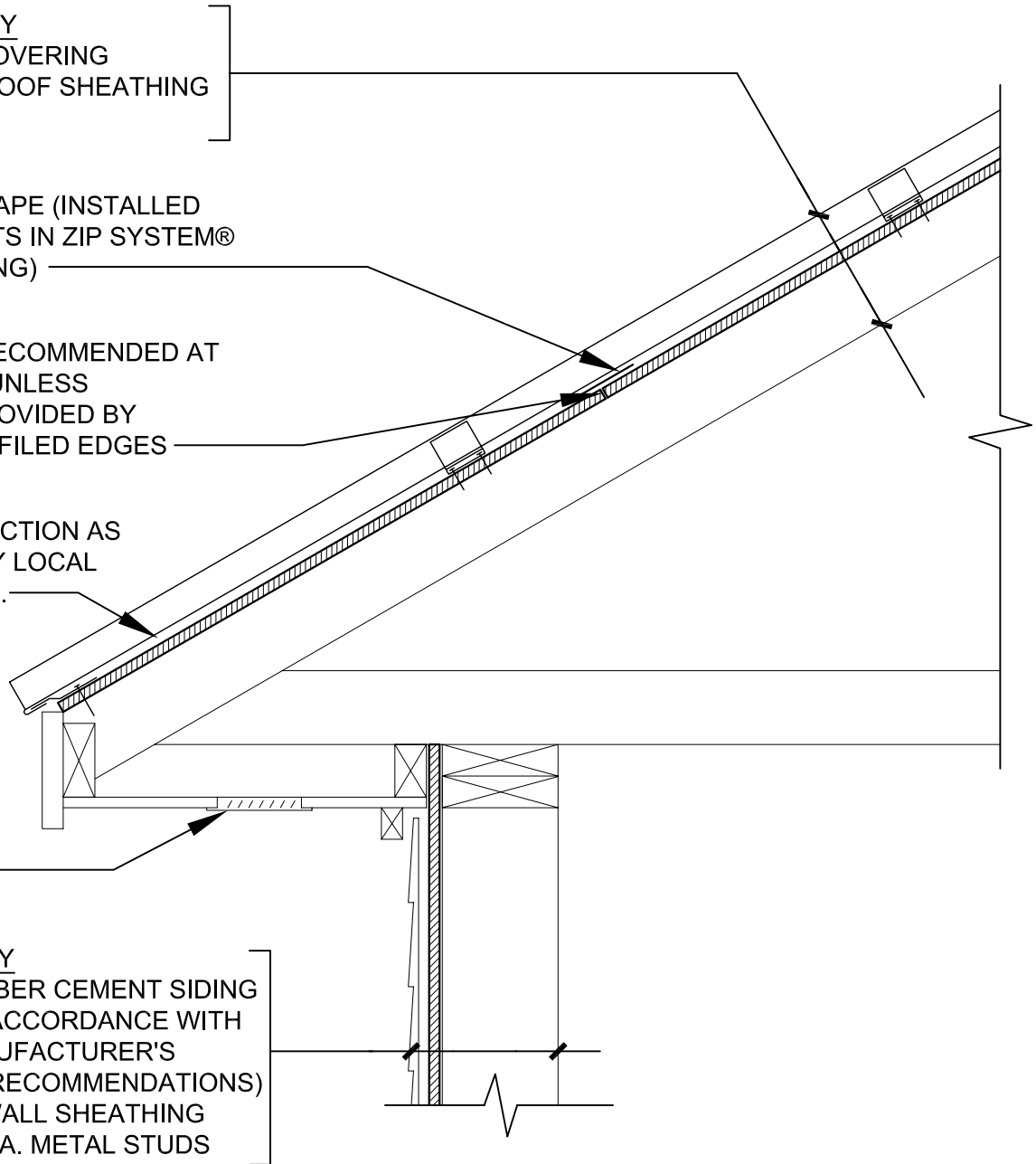
ZIP SYSTEM® TAPE (INSTALLED
OVER ALL JOINTS IN ZIP SYSTEM®
ROOF SHEATHING)

1/8-INCH GAP RECOMMENDED AT
PANEL EDGES UNLESS
OTHERWISE PROVIDED BY
MACHINED PROFILED EDGES

ICE DAM PROTECTION AS
PRESCRIBED BY LOCAL
BUILDING CODE.

SOFFIT VENT

WALL ASSEMBLY
VINYL/WOOD/FIBER CEMENT SIDING
(INSTALLED IN ACCORDANCE WITH
CLADDING MANUFACTURER'S
INSTALLATION RECOMMENDATIONS)
ZIP SYSTEM® WALL SHEATHING
WOOD OR LT. GA. METAL STUDS



DRAWING NOT TO SCALE

12-14-2007

Sales Office: 10925 David Taylor Drive - Suite 300 - Charlotte, NC 28262
Telephone: 800.933.9220 - Facsimile: 704.547.9228 - www.huberwood.com

another innovation from



ENGINEERED
WOODS

These construction details are provided to assist in the installation of ZIP System® product(s) and may not apply to every situation. Manufacturer accepts no responsibility or liability for the use of these or other construction details.