

Technical Tip

Non-Load Bearing Partitions Bottom Plate Attachment on AdvanTech® Flooring

As the name suggests, non-load bearing partitions are not intended to carry loads. These walls are simply intended to partition areas of a structure. However, it is very important to properly fasten the sole plate (bottom plate) to the underlying framing to prevent localized noise in the floor system. Foot traffic near interior walls can sometimes cause incremental movements resulting in noises from fasteners rubbing against the AdvanTech® floor panel edges. To address this potential source of noise, the sole plate should be securely fastened to the floor joist system as shown below.

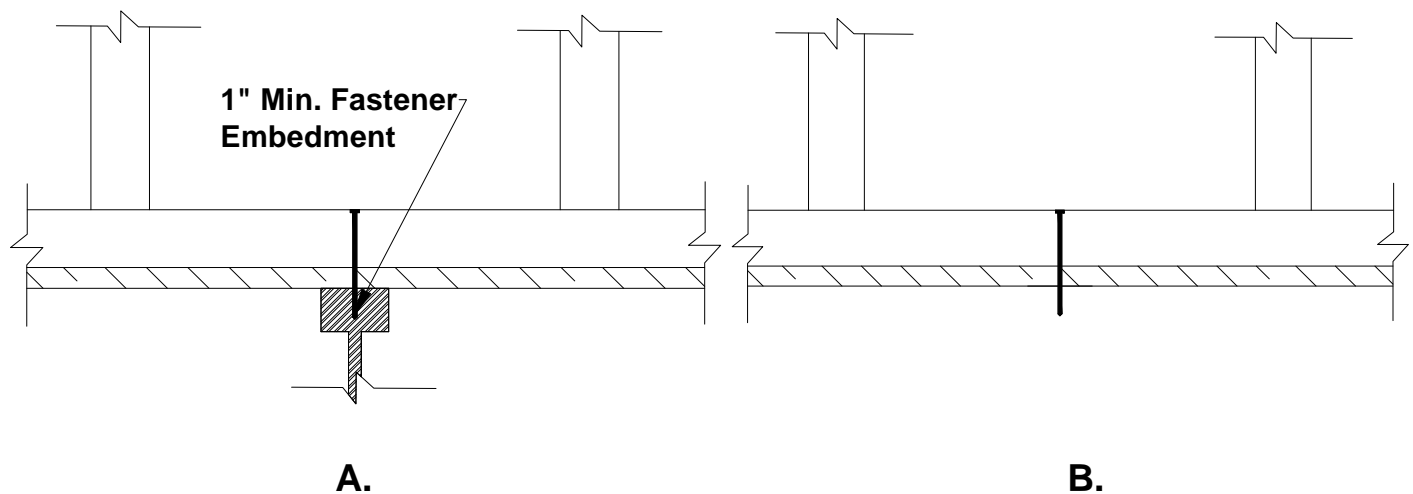


Figure 1: Attachment of non-load bearing partition sole plate. Attachment to joists (A) is good practice. Attachment to AdvanTech flooring alone (B) is not recommended.

Sole plate code approved fasteners should be driven into joists (Figure 1, A) or into blocking a minimum of 1". Fasteners are occasionally driven through the plate into the AdvanTech flooring alone (Figure 1, B). This is not recommended construction practice since this may cause fasteners to rub against the AdvanTech floor panel thickness. Additionally, squeaking may occur when the floor is walked on in that area.

Squeaking of Sole/Bottom Plate Nails

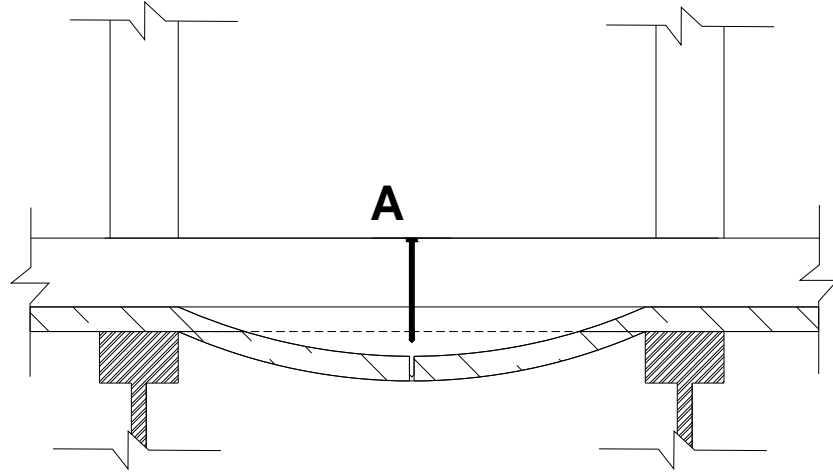


Figure 2: Panel deflection between joist bays. Normal foot traffic may cause panels to deflect allowing fastener at (A) to slip through panel. This movement may cause floor squeaks. ***Note:** for illustration purposes, this figure is greatly exaggerated.

Correct Fastening of Sole/Bottom Plate

Securing the sole plate to the floor framing prevents the floor from moving independently of the wall thus reducing the risk of squeaks.

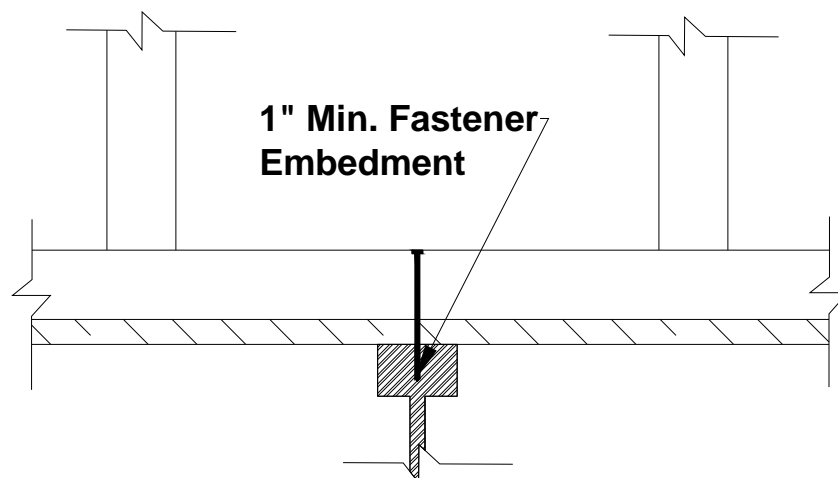


Figure 3: Attachment of sole plate to joists and blocking. This applies to all framing systems including engineered wood floor systems. Refer to installation instructions of engineered wood joist manufacturer for proper blocking.

(Recommended Practice: Many framers have further minimized floor noise from foot traffic adjacent to interior non-bearing walls by applying polyurethane or solvent based adhesives between the underside of the



sole/bottom plate and the top surface of the AdvanTech floor panels.)

AdvanTech is a registered trademark of Huber Engineered Woods LLC.